

LB-4-10-A Standard Gain Horn Antenna 170-260GHz 10dB Gain Rectangular Waveguide Interface

Standard Gain Horn Antenna Operating From 170GHz to 260GHz With a Nominal 10dB Gain With Rectangular Waveguide Interface



Product Information

SKU	LB-4-10-A
-----	-----------

Description

Standard Gain Horn Antenna LB-4-10-A, operating from 170 to 260GHz with a nominal 10dB gain and low VSWR 1.15:1 with APF4 output. The model LB-4-10-A has uniform gain through its frequency span, providing efficient performance characteristics and directionality. Constructed of lightweight corrosion-resistant aluminum, the antenna will provide years of trouble-free indoor and outdoor service. This standard gain horn antenna is linearly polarized and ideally suited for EMI testing, direction finding, surveillance, antenna gain and pattern measurements and other applications.

Technical Specification

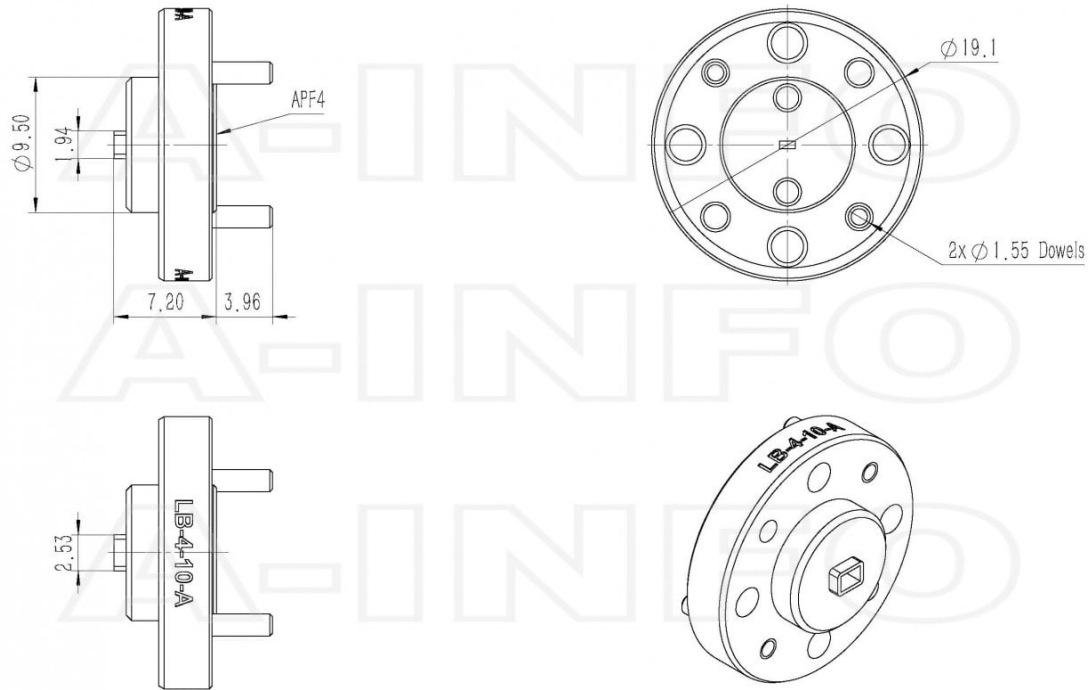
Electrical Specification		Interface	
Frequency, Min (GHz)	170	Output Type	Waveguide
Frequency, Max (GHz)	260	Flange Style	Round
Waveguide Type	Rectangular	Flange Type	Cover
Waveguide Size EIA WR	WR4	Flange Designation	APF4
Gain, Typ (dBi)	10	Mechanical Specification	
Polarization	Linear	Figure	A Type
3dB Beamwidth, E-Plane, Typ (Deg.)	49	Body Material	Cu
3dB Beamwidth, H-Plane, Typ (Deg.)	46	Finish	Gold Plated
Cross Pol. Isolation, Typ (dB)	30	Size, W (mm)	19.1
VSWR, Typ	1.15:1	Size, H (mm)	19.1
		Size, L (mm)	7.2
		Weight, (kg)	0.01

Additional Information

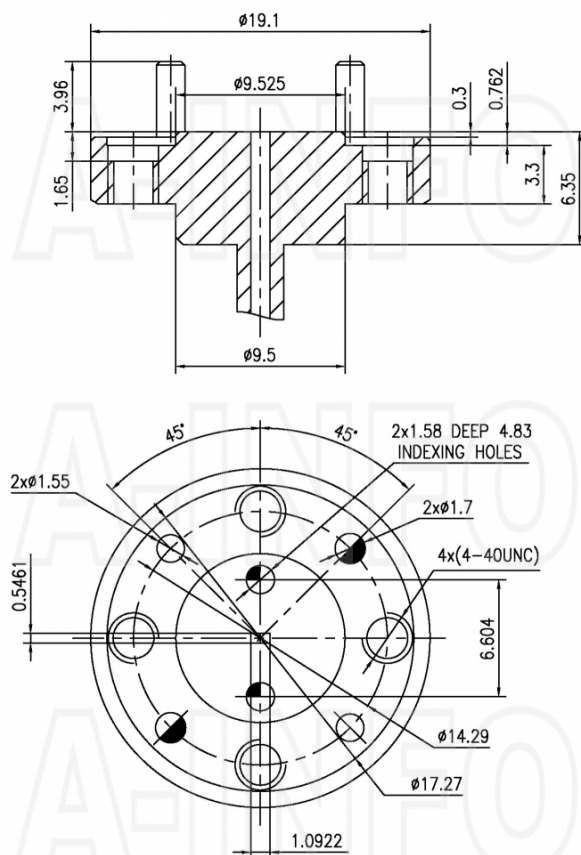
Application	General Purpose Indoor & Outdoor, Fixed	Solution for	Gain Reference Antenna Measurement Reflector Feed Far-field Measurement System Intergration Material Measurement
-------------	---	--------------	---

Outline Drawing

APF4 Output (P/N: LB-4-10-A)



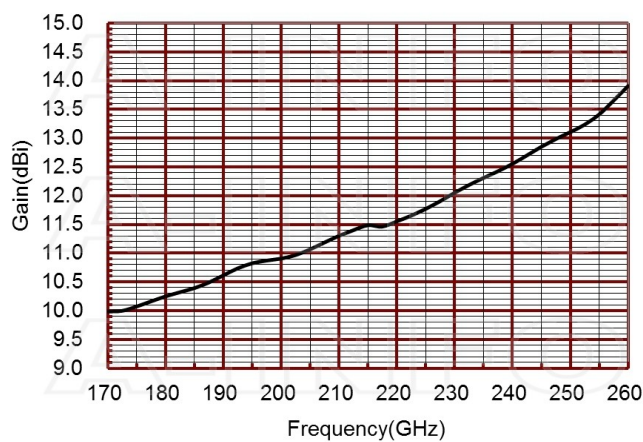
Flange Drawing



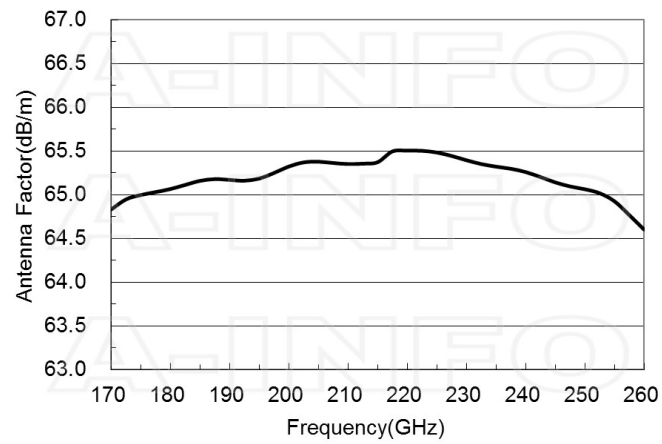
APF4

Typical Test Results

Gain



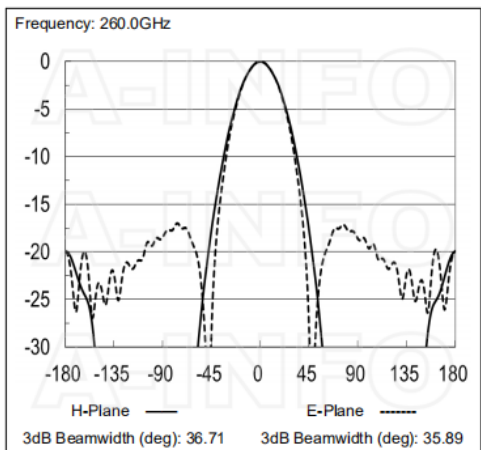
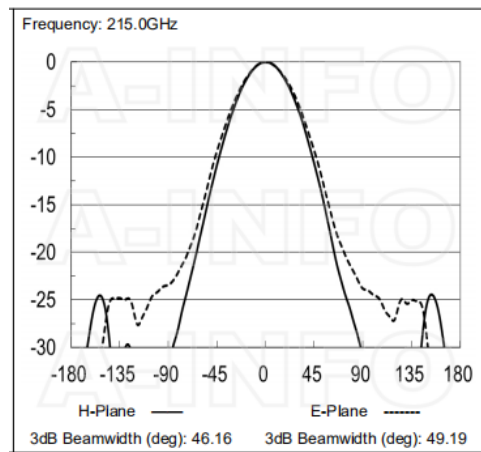
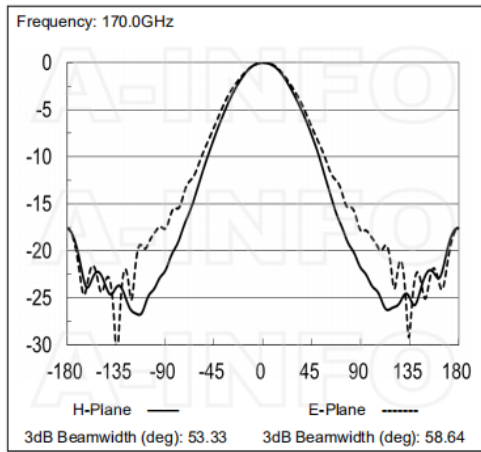
Antenna Factor



Antenna Factor (Table)

Frequency(GHz)	Gain(dBi)	Antenna Factor(dB/m)
170	9.99	64.83
175	10.07	65.00
180	10.25	65.07
185	10.39	65.16
190	10.61	65.17
195	10.82	65.19
200	10.91	65.32
205	11.07	65.38
210	11.30	65.35
215	11.49	65.37
220	11.55	65.51
225	11.77	65.48
230	12.05	65.40
235	12.31	65.32
240	12.55	65.26
245	12.85	65.14
250	13.11	65.06
255	13.41	64.93
260	13.91	64.60

Pattern



Related Products



HSCS_4-40UNC_Pack Assembly Pack

Similar Products



LB-4-25-A Standard Gain Horn
Antenna 170-260GHz 25dB Gain
Rectangular Waveguide Interface



LB-3-15-A Standard Gain Horn
Antenna 220-325GHz 15dB Gain
Rectangular Waveguide Interface



LB-3-20-A Standard Gain Horn
Antenna 220-325GHz 20dB Gain
Rectangular Waveguide Interface



LB-3-25-A Standard Gain Horn
Antenna 220-325GHz 25dB Gain
Rectangular Waveguide Interface

About this Datasheet

<ul style="list-style-type: none"> ● Product Information Product Link: https://www.ainfoinc.com/lb-4-10-a-standard-gain-horn-antenna-170-260-ghz-10db-gain-apf4 Data subject to change without notice. © A-INFO INC. 2023. All Rights Reserved 	<ul style="list-style-type: none"> ● Contact Us Address: 60 Tesla, Irvine, CA 92618, USA Website: www.ainfoinc.com Email: sales@ainfoinc.com 	<ul style="list-style-type: none"> ● Phone & Fax Phone: +1-949-639-9688 +1-949-639-9608 Fax: +1-949-639-9670
---	--	---